

GTF6 & GTF9

Side Mount Fluoropolymer Covered Heaters



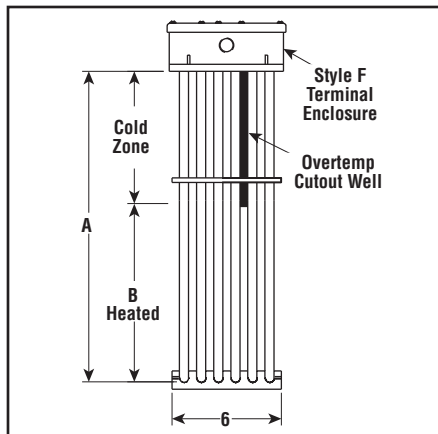
GTF6 — 6 Elements

- 6 Fluoropolymer Covered Stainless Steel Elements
- 10 W/In²
- 2 - 12 kW
- 240 and 480 Volt, Three Phase
- Moisture Resistant Terminal Enclosure

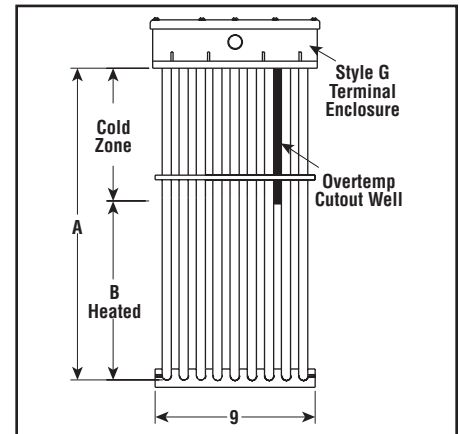
GTF9 — 9 Elements

- 9 Fluoropolymer Covered Stainless Steel Elements
- 10 W/In²
- 3 - 18 kW
- 240 and 480 Volt, Three Phase
- Moisture Resistant Terminal Enclosure

GTF6 — Dimensions (Inches)



GTF9 — Dimensions (Inches)



Specifications and Ordering Information

kW	Volts	W/In ²	Phase	DIM (In.)		Fluoropolymer			Wt. (Lbs.)	Guard ¹ PCN
				A	B	Model	Stock	PCN		
GTF6 — 6 Elements										
2	240	10	3	17	9	GTF6-22	NS	054412	19	054551
2	480	10	3	17	9	GTF6-24	NS	054420	19	054551
3	240	10	3	23	15	GTF6-32	NS	054439	22	054560
3	480	10	3	23	15	GTF6-34	NS	054447	22	054560
4	240	10	3	29	21	GTF6-42	NS	054455	24	054578
4	480	10	3	29	21	GTF6-44	NS	054463	24	054578
6	240	10	3	35	27	GTF6-62	NS	054471	27	054586
6	480	10	3	35	27	GTF6-64	S	054480	27	054586
8	240	10	3	47	38	GTF6-82	NS	054498	33	054594
8	480	10	3	47	38	GTF6-84	S	054500	33	054594
10	240	10	3	59	47	GTF6-102	NS	054519	40	054607
10	480	10	3	59	47	GTF6-104	S	054527	40	054607
12	240	10	3	68	55	GTF6-122	NS	054535	45	054615
12	480	10	3	68	55	GTF6-124	NS	054543	45	054615
GTF9 — 9 Elements										
3	240	10	3	17	9	GTF9-32	NS	054690	28	054834
3	480	10	3	17	9	GTF9-34	NS	054703	28	054834
4.5	240	10	3	23	15	GTF9-452	NS	054711	33	054842
4.5	480	10	3	23	15	GTF9-454	NS	054720	33	054842
6	240	10	3	29	21	GTF9-62	NS	054738	36	054850
6	480	10	3	29	21	GTF9-64	NS	054746	36	054850
9	240	10	3	35	27	GTF9-92	NS	054754	40	054869
9	480	10	3	35	27	GTF9-94	NS	054762	40	054869
12	240	10	3	47	38	GTF9-122	NS	054770	49	054877
12	480	10	3	47	38	GTF9-124	NS	054789	49	054877
15	240	10	3	59	47	GTF9-152	NS	054797	60	054885
15	480	10	3	59	47	GTF9-154	NS	054800	60	054885
18	240	10	3	68	55	GTF9-182	NS	054818	67	054893
18	480	10	3	68	55	GTF9-184	NS	054826	67	054893

Stock Status: S = stock NS = non-stock

To Order—Specify model, PCN, kW, volts, phase and quantity.

1. Guard (not shown). Order separately by PCN. Guard adds approximately 1/2" to overall heater dimensions.

Features

- Moisture Resistant Terminal Enclosure
- Side Mounted Construction with Mounting Flange
- Single Use Overtemperature Protection Thermal Fuse Supplied as Standard, for Process Temperatures up to 180°F (82°C)/ Fuse Temperature 219°F (104°C) Limit. For Higher Process/Fuse Temperature Limits, Consult Factory. Field Replaceable
- Resettable Overtemperature Protection Thermal Fuses also Available
- Polypropylene Guard, order separately
- Custom Vertical Heights and Other Configurations available
- Alternate Voltages and Single Phase available